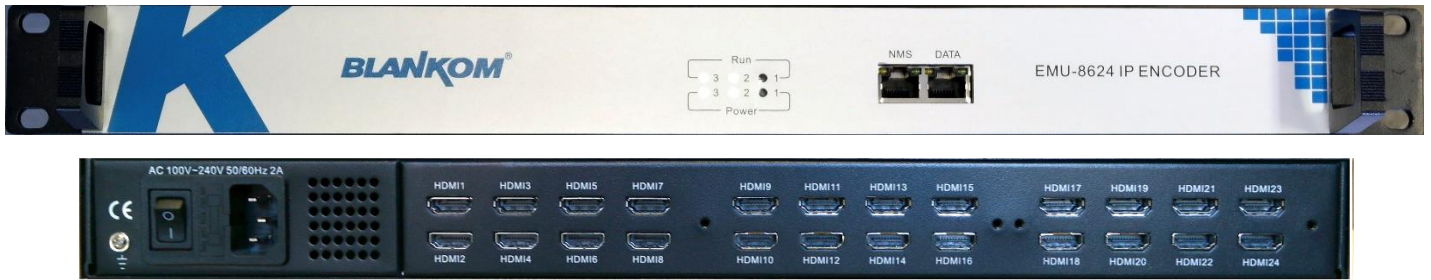


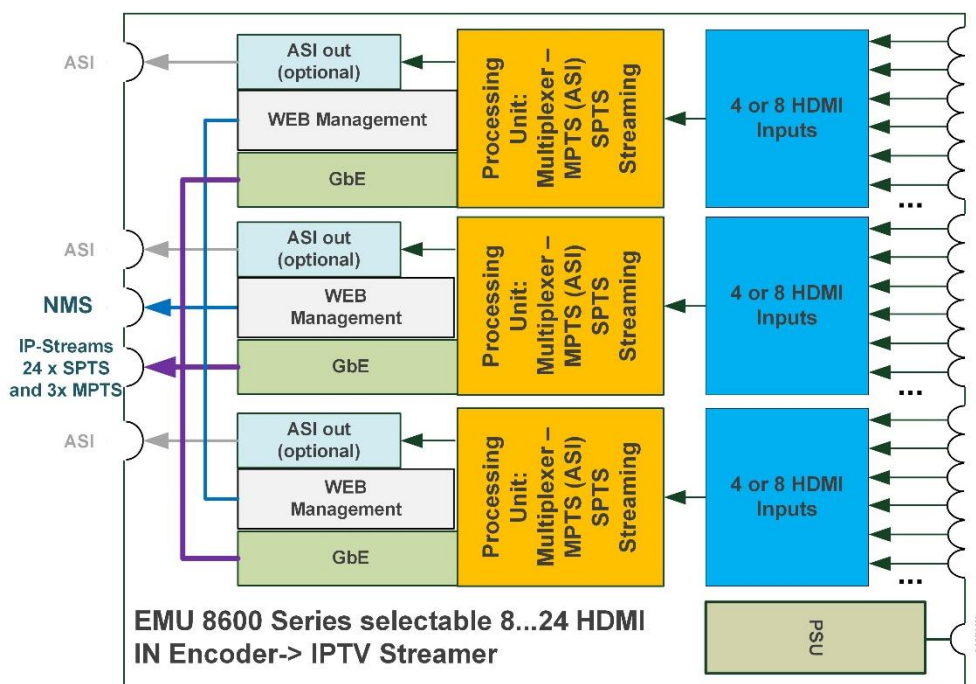
EMU-8600 IPTV Encoder with 8...24 Inputs



Example EMU-8624 with 3 Modules and 3x8=24 HDMI Inputs

- 8 HDMI* input, 8 SPTS IPTV and 1 MPTS output (EMU 8608)
- 12 HDMI* input, 12 SPTS IPTV and 2 MPTS output (EMU 8612)
- 16 HDMI* input, 16 SPTS IPTV and 2 MPTS output (EMU 8616)
- 24 HDMI* input, 24 SPTS IPTV and 3 MPTS output (EMU 8624)
- 1 ASI output (optional) (Copy of the MPTS)
- On-Screen Graphics, Scrolling Text, QR Code insertion
- Accurate PCR adjusting and inserting
- PID filtering and re-mapping
- PSI/SI rebuilding and editing & “Null PKT Filter” function
- 1x NMS- and 1 GbE data-streaming -port
- Remote control by a modern Web based management
- Updates via Web-interface

*8 ... 24 HDMI input IPTV Encoder
with Text or Graphic Logo-Insertion*



BLANKOM EMU 8600 series:
MPEG4 AVC/H.264 HD IP Encoder is a professional HD audio & video encoding and multiplexing device. Input: 8 ... 24 HDMI compatible Video input interfaces, supporting MPEG-4 Video encoding and MPEG 1 Layer 2 audio encoding. This very compact Encoder simultaneously encodes up to 8 ... 24 HDMI compatible HD Audio & Video channels to IP output as a multiplexed 1 MPTS and 8 ... 24 SPTS IP SPTS output streams as UDP Multicast. Every encoded Video-picture can be added with Text, Graphic or QR-code overlays. High integrated and cost effective design fits perfect into widely use cases in varieties of digital distribution systems such as cable TV digital head-end, satellite digital TV broadcasting etc.

Technical specifications:

Input	8 / 12/ 16 / 24 HDMI compatible inputs		
Video	Resolution	input	1920×1080_60P, 1920×1080_50P, 1920×1080_50i, 1280×720_60P, 1280×720_50P, 720×576_50i, 720×480_60i,
		output	1920×1080_30P, 1920×1080_25P, 1280×720_30P, 1280×720_25P, 720×576_25P, 720×480_30P,
	Encoding	MPEG-4 AVC/H.264	
	Bitrate	1Mbps...13Mbps each channel	
	Encoding Rate Control	CBR/VBR	
	GOP Structure	IP...P (P Frame adjustment, without B Frame)	
Audio	Encoding	MPEG-1 Layer 2, LC-AAC, HE-AAC and AC3 Pass through	
	Sampling rate	Up to 48KHz	
	Resolution	24-bit	
	Audio Gain adjustable	0...255	
	HE-AAC Bitrate	48/56/64/80/96/112/128 kbps	
	LC-AAC Bitrate	48/56/64/80/96/112/128/160/192/224/256/320/384 kbps	
	MPEG-1 Layer 2 Bitrate	48/56/64/80/96/112/128/160/192/224/256/320/384 kbps	
Multiplexing	Maximum PID Remapping	180 input per channel	
	Function	PID remapping (automatically or manually)	
		PCR adjusting	
		Generation of PSI/SI table automatically	
Stream output	N x 8 SPTS (8/12/16/24 SPTS) IP and 1,2,3 MPTS output over UDP/RTP, 1x 1000Base-T Ethernet interface Data @ the front ASI output (optional) as copy of the multiplexed MPTS		
System function	Network management (WEB-IF)		
	English language menu		
	Firmware upgrade by Web-Browser		
Miscellaneous	Dimension(W×L×H)	482mm×410mm×44mm *	
	Approx weight	7,4 net & 8,4 kg (EMU-8624) *	
	Environmental cond.	0...45°C (work) ; -20...80°C (Storage)	
	Power requirements	AC 110V± 10%, 50/60Hz, AC 220 ± 10%, 50/60Hz	
	Power consumption	70W *	

*) depending on Model

Corresponding products:

- IP to 16 QAM DVB-C Modulator HDC-5016
- HDC-5004 IP to QAM Modulator with remuxed TV services i.e. for hospitality content addons to existing networks
- Digital Signage: IP Decoder HDD-275
- IPTV Middleware Server OMNISCREENTV + SetTopBoxes or Hospitality TV Sets from tested vendors
- BLANKOM IPTV STB: 6800+
- OmniscreenTV STB M15 (h.264/MPEG2, FullHD, Multicast UDP only)